

**Toastess**® *Silhouette*

# 'INTELLIGENT' COUNTDOWN TOASTER



## Instruction Booklet

Model: TT-522

## IMPORTANT SAFEGUARDS

When using electrical appliances, basic safety precautions should always be followed including the following:

1. Read all instructions.
2. Do not touch hot surfaces. Use handles or knobs.
3. To protect against electrical hazards, do not immerse cord, plugs, or the appliance in water or other liquid.
4. Close supervision is necessary when any appliance is used by or near children.
5. Unplug from outlet when not in use and before cleaning. Allow to cool before putting on or taking off parts, and before cleaning the appliance.
6. Do not operate any appliance with a damaged cord or plug or after the appliance malfunctions, or has been damaged in any manner. Return appliance to Toastess for examination, repair or adjustment. See Warranty.
7. The use of accessories or attachments not recommended by Toastess may cause hazards.
8. Do not use outdoors.
9. Do not let cord hang over edge of table or counter, or touch hot surfaces.
10. Do not place on or near a hot gas or electric burner, or in a heated oven.
11. Extreme caution must be used when moving an appliance containing hot liquids.
12. Always attach plug to appliance first, then plug cord into the wall outlet. To disconnect, turn any control to 'OFF', then remove plug from wall outlet.
13. Do not use appliance for other than intended use.
14. Do not leave unit unattended while in use.
15. Oversize foods, metal foil packages, or utensils must not be inserted in a toaster as they may involve a risk of fire or electric shock.
16. A fire may occur if toasters are covered or touching flammable material, including curtains, draperies, walls and the like, when in operation.

17. Do not attempt to dislodge food when toaster is plugged in.
18. Do not place any bread or object on top of the toaster. This will block airflow and cause fire or damage to the toaster.

## **SAVE THESE INSTRUCTIONS**

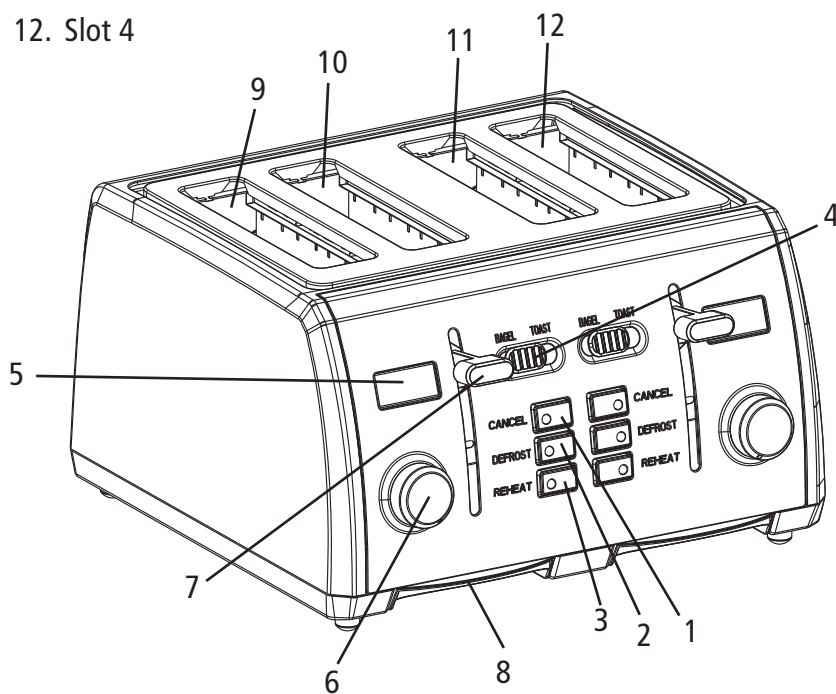
### **HOUSEHOLD USE ONLY**

#### **POLARIZED PLUG**

This appliance has a polarized plug (one blade is wider than the other). To reduce the risk of electric shock, this plug will fit in a polarized outlet only one way. If the plug does not fit fully in the outlet, reverse the plug. If it still does not fit, contact a qualified electrician. Do not modify the plug in any way.

## DESCRIPTION OF PARTS

1. Cancel Button and Light
2. Defrost Button and Light
3. Reheat Button and Light
4. Bagel/Toast Slide Control
5. LCD Display Window
6. Browning Control Knob
7. Carriage Control Lever
8. Removable Crumb Tray
9. Slot 1
10. Slot 2
11. Slot 3
12. Slot 4



## BEFORE FIRST USE

1. Remove all packaging.
2. Read all instructions carefully and keep them for future reference.
3. Make sure that the Crumb Trays are in place.
4. Plug the power cord into a 120 V AC wall outlet. Operate the toaster once or twice without bread on the highest browning level to burn off any residue left from the manufacturing process. Any smoke or smells produced during this procedure are normal.

## HOW TO USE

<b>Cancel Function:</b>	Interrupts the toasting cycle
<b>Defrost Function:</b>	First defrosts frozen bread then toasts
<b>Reheat Function:</b>	Reheats previously toasted bread, bagels, etc. without further browning
<b>Toast Function:</b>	Browns both sides of the bread
<b>Bagel Function:</b>	Warms the outside crust and browns the cut side of the bagel, English muffin, etc.

1. Plug power cord into a 120V AC wall outlet.
2. Select the degree of browning on the Browning Control Knob.
  - Light** – setting 1 or 2
  - Medium** – setting 3 or 4
  - Dark** – setting 5
3. **NOTE: If the toaster is not plugged in, the carriage control lever will not lock.**

### Toasting (both sides)

1. Slide the Bagel/Toast Control to the right (Toast).
2. Place slices of bread, waffles, etc. into the bread slots. The bread guides will adjust automatically to hold thinner slices.
3. Select the desired setting on the Browning Control Knob.
4. Push the Carriage Control Lever down until it locks. The Cancel light will come on. If you wish to raise the Carriage Control Lever before the end of the toasting cycle, press the Cancel button.
5. When the toasting cycle is complete, the Carriage Control Lever will pop-up automatically.

## **Toasting (both sides)**

Bagel Function can be used for bagels, English muffins or anything you want toasted only on one side.

1. Slide the Bagel/Toast Control to the left (Bagel).
2. Place slices of bagels, English muffins, etc. into the bread slots so that the cut side to be toasted is facing the inside slots between slots 1 and 1 and/or the inside between slots 3 and 4.
3. Select the desired setting on the Browning Control Knob.
4. Push the Carriage Control Lever down until it locks. The Cancel light will come on. If you wish to raise the Carriage Control Lever before the end of the toasting cycle, press the Cancel button.
5. When the toasting cycle is complete, the Carriage Control Lever will pop-up automatically.

## **Reheating**

1. Slide the Bagel/Toast Control to the right, Toast setting.
2. Place previously toasted bread, bagels, English muffins, etc. into the bread slots.
3. Push the Carriage Control Lever down until it locks. Press the Reheat Button. The Reheat and Cancel lights will come on.
4. The toaster will reheat for 30 seconds. If you wish to raise the Carriage Control Lever before the end of the reheating cycle, press the Cancel button.
5. When the toasting cycle is complete, the Carriage Control Lever will pop-up automatically.

## Defrosting

### Both Sides:

1. Slide the Bagel/Toast Control to the right, Toast setting.
2. Place slices of bread, waffles, etc. into the bread slots.
3. Select the desired setting on the Browning Control Knob.  
NOTE: The toaster will automatically add 30 seconds for defrosting to the toasting time once the Carriage Control Lever is pressed down.
4. Push the Carriage Control Lever down until it locks.
5. Press the Defrost Button. The Defrost and Cancel lights will come on. If you wish to raise the Carriage Control Lever before the end of the defrosting/toasting cycle, press the Cancel button.
6. When the defrosting/toasting cycle is complete, the Carriage Control Lever will pop-up automatically.

### One Side:

1. Slide the Bagel/Toast Control to the left, Bagel setting.
2. Place slices of bagels, English muffins, etc. into the bread slots.  
The cut side of the bagel or English muffin must be placed towards the inside of the toaster.
3. Select the desired setting on the Browning Control Knob. The toaster will automatically add 30 seconds for defrosting to the toasting time.
4. Push the Carriage Control Lever down until it locks.
5. Press the Defrost Button. The Defrost and Cancel lights will come on. If you wish to raise the Carriage Control Lever before the end of the defrosting/toasting cycle, press the Cancel button.
6. When the defrosting/toasting cycle is complete, the Carriage Control Lever will pop-up automatically.

## HELPFUL HINTS

1. Moisture levels differ from one type of bread to another, which can result in varying toasting times.
  - For slightly dry bread, use a lower Browning Control setting than normal
  - For fresh bread or whole wheat, use a higher setting than normal
  - Breads with uneven surfaces (i.e.: English muffins) will require a higher Browning Control setting.
  - Thickly cut pieces of bread, including bagels, will take longer to toast.
2. When toasting raisin or other fruit breads, remove any loose raisins or fruit from the surface of the bread before placing it in the toaster. This will help prevent pieces from falling into the toaster or sticking on the bread guides.
3. If toasting a single slice of bread, etc. set the Browning Control Knob to a lighter than normal setting.
4. Frozen breads, waffles, pancakes, etc. should be toasted using the Defrost Function.
5. When toasting pastries, the filling can become quite hot before the surface of the pastry becomes brown. Never leave toasting pastries unattended.
6. Do not place any bread or object on top of the toaster. This will block airflow and cause fire or damage to the toaster.



## CARE AND CLEANING

1. Unplug the power cord from wall outlet. Allow the toaster to cool before cleaning.
2. Do not use abrasive cleansers. Simply wipe the exterior with a clean damp cloth and, if necessary, a mild soap. Dry thoroughly.
3. To remove crumbs, slide out the Crumb Trays by placing your fingers underneath the front of the toaster base and sliding the Crumb Trays out.
4. Empty the Crumb Trays, then wipe with a damp cloth. Stubborn spots can be removed with a plastic mesh pad. Dry thoroughly before replacing. Never operate the toaster without the Crumb Trays in place.

### **NOTE:**

It is important to remove crumbs from your toaster regularly. A large build-up of crumbs could become a fire hazard.

To remove any pieces of bread remaining in the toaster, turn the toaster upside down and shake gently. Never insert any hard or sharp instrument into the slots as this could damage the toaster and cause a safety hazard.

A short supply cord is provided to reduce the hazards of becoming entangled in or tripping over a long cord. Extension cords may be used if care is exercised in their use. If an extension cord is used, the marked electrical rating of the detachable power-supply cord or extension cord should be at least as great as the electrical rating of the appliance. If the appliance is of the grounded type, the extension cord should be of a grounded 3-wire cord. The extension cord should be arranged so that it will not drape over the counter top or table top, where it can be pulled on by children or tripped over.

## LIMITED WARRANTY

Toastess International warrants that this appliance shall be free from defects in material and workmanship for a period of one year from the date of purchase. During this 'in-warranty' period, defective products will be repaired or replaced at the discretion of the retailer and/or Toastess International. This warranty covers normal domestic usage and does not cover damage which occurs in shipment or failure which results from alteration, accident, misuse, abuse, glass breakage, neglect, commercial use or improper maintenance.

A defective product should be returned to the original place of purchase within the retailer's stipulated return/exchange period\*. If you are unable to have a defective product replaced under warranty by the retailer, please check our website at "www.toastess.com" for the service centre nearest you or you may contact us for assistance by mail, e-mail, fax or telephone as listed below.

To ensure prompt 'in-warranty' service, securely package and return the product to us prepaid. Be sure to include the original proof of purchase and a description of the defect along with your address and zip/postal code.

For repairs not covered by the warranty, please contact us for assistance.

# TOASTESS®

## TOASTESS INTERNATIONAL

Customer Service Department

81A Brunswick

Dollard-des-Ormeaux

Québec, Canada H9B 2J5

E-mail: [info@toastess.com](mailto:info@toastess.com)

Fax: 514-685-8300

Tel: 514-685-2820

\* Return/exchange policies at each retailer vary and may differ from the Toastess International 1 year limited warranty period.